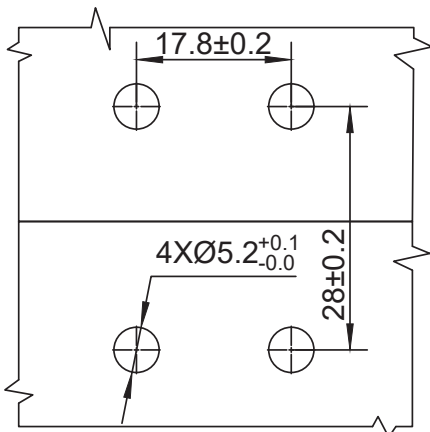
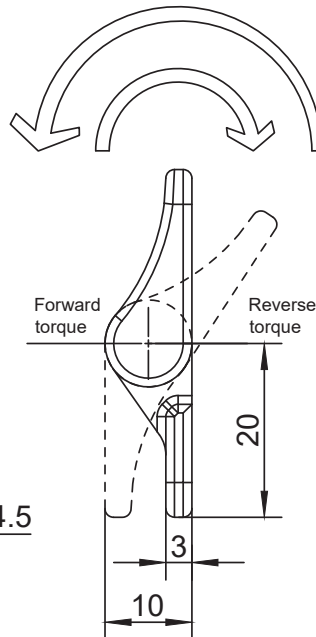
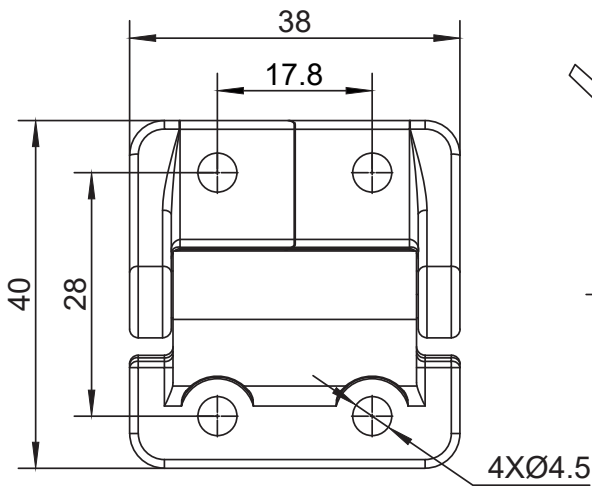


H1-2417

Screw-on Torque Hinge



| 对称扭矩 N.m Symmetric N.m | | |
|-------------------------------------|---------------------|-------------------------|
| 麻面黑 Black Textured Powder Coated | 亮铬 Bright Chrome | 对称扭矩 Symmetrical Torque |
| H1-2417-09-42 | H1-2417-09-30 | 0.9 |
| H1-2417-14-42 | H1-2417-14-30 | 1.4 |
| H1-2417-18-42 | H1-2417-18-30 | 1.8 |
| H1-2417-23-42 | H1-2417-23-30 | 2.3 |

1. Material and surface treatment:
Main body : Zamak DIN-EN 1774-ZnAl4Cu1

1. 材质及表面处理:
主体: 5#锌合金

如需获得产品 3D 模型图 , 请联系 WWW.FORND.COM