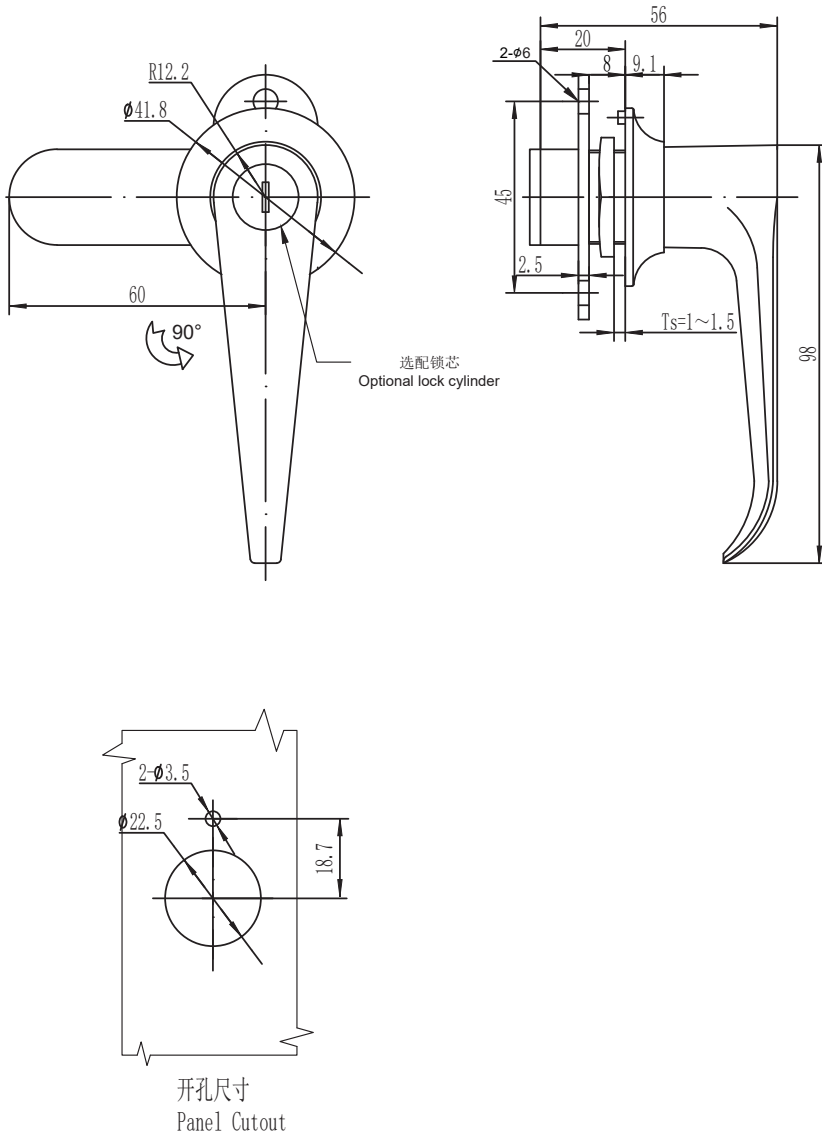


## B-1300

## L handle lock



IP65



1. Material and surface treatment:  
Lock body, handler : Zamak DIN-EN 1774-ZnAl4Cu1 or SUS304  
Steel bolt : iron galvanized  
Sealing ring: EPDM foam.

2. Performance parameters:  
Protection class: IP65

3. Remarks:  
Optional dedicated key  
Default K200 key

1. 材质及表面处理:  
锁体, 手柄: 5#锌合金或 SUS304  
钢栓: 铁镀锌  
密封圈: EPDM发泡胶

2. 性能参数: 防护等级: IP65

3. 备注:  
专用钥匙可选  
默认 K200 钥匙

	电镀亮铬 Bright chrome electroplating	不锈钢 Stainless steel
K200 钥匙锁定 K200 key locking	B-1300-10-30	B-1300-10-A1
不带钥匙锁 Non-locking	B-1300-20-30	B-1300-20-A1