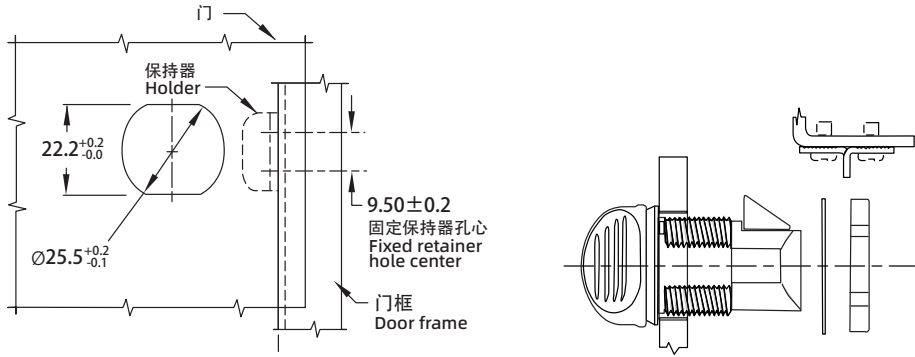
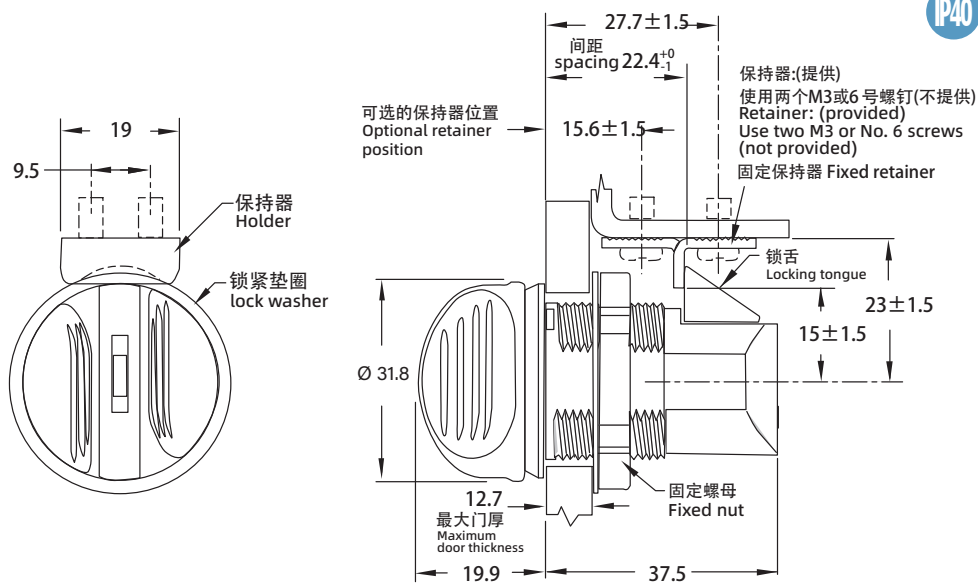


B-1706 push to close latch knob latch

IP40



1. Material and surface treatment:
Lock body : Glass fiber nylon and acetal

2. Performance parameters:
Protection class: IP40
Maximum working load: 425N
Working temperature range: -20 to 65 °C
Flame retardant grade: UL94-HB

3. Remarks:
Default CH751 key

1. 材质及表面处理:
锁体: 玻璃纤维尼龙和乙缩醛

2. 性能参数:
防护等级: IP40
最大工作载荷: 425N
工作温度范围: -20°C到 65°C
阻燃等级: UL94-HB

3. 备注:
默认 CH751 钥匙

如需获得产品 3D 模型图，请联系 WWW.FORND.COM