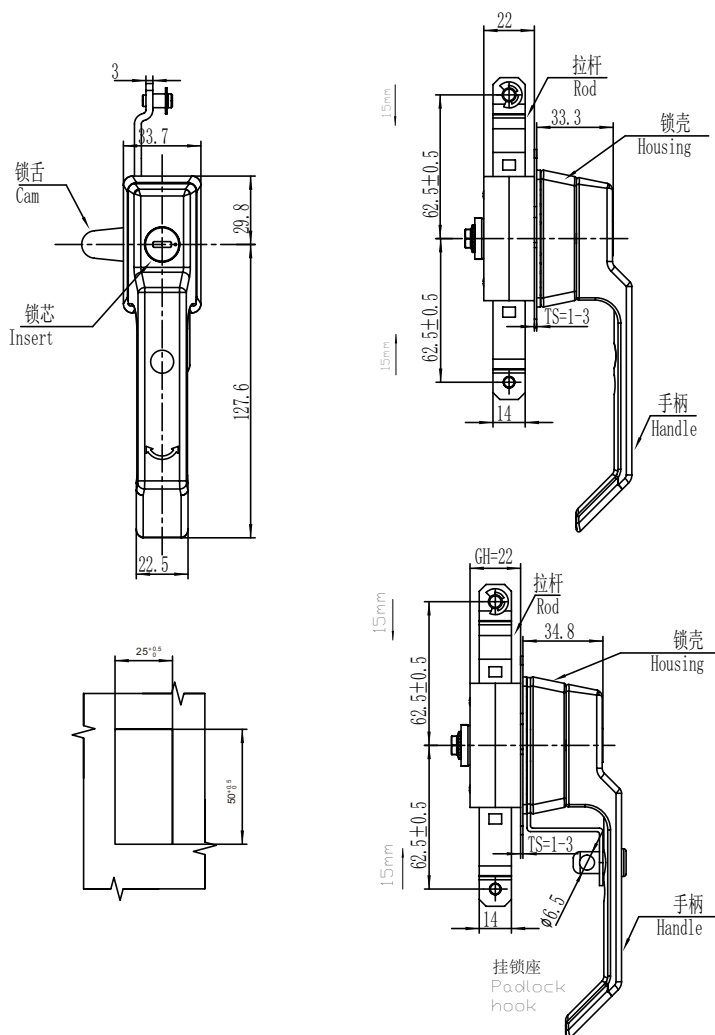
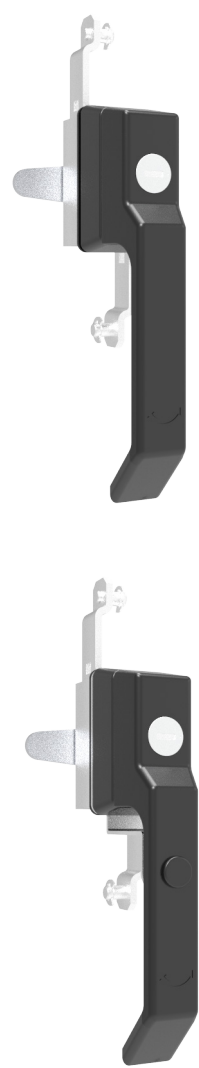


连杆型旋转把手 Rod Control Swinghandle

A-1226 Rod Control Swinghandle



RL
IP65
NEW



1. Material and surface treatment:
Lock body, handle: Zamak DIN-EN 1774-ZnAl40Cu1 or SUS304
Steel bolt: iron galvanized
Sealing ring: EPDM foam.

2. Performance parameters: Protection class: IP65

3. Remark:
Padlockable on request

1. 材质及表面处理:
锁体, 手柄: #5 锌合金或 SUS304
钢栓: 铁镀锌
密封圈: EPDM 发泡胶。

2. 性能参数: 防护等级: IP65

3. 备注:
可配挂锁

	带挂 Padlockable	不带挂 Without padlock
喷漆哑光黑 Black Powder Coated	A-1226-3011-40	A-1226-3001-40
SUS304	A-1226-3011-A1	A-1226-3001-A1

如需获得产品 3D 模型图，请联系 WWW.FORND.COM