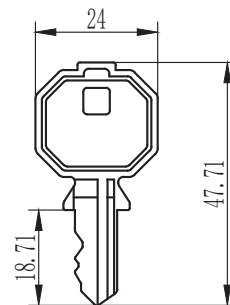
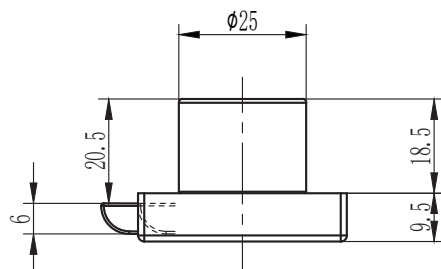
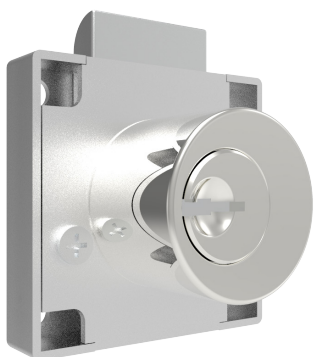
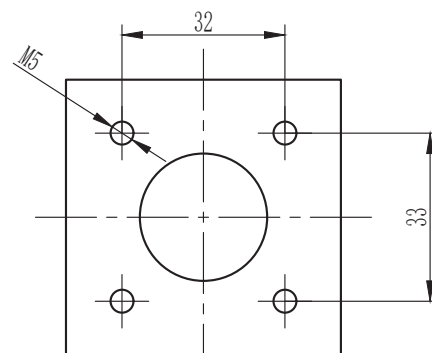
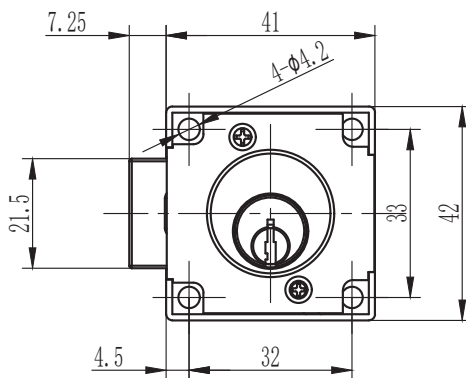


push to close latch knob latch **B-1704**

IP40



K110 Key



CUT OUT (开孔尺寸)

如需获得产品3D模型图，请联系 WWW.FORND.COM

1. Material and surface treatment:
Lock body : Zamak DIN-EN 1774-ZnAl4Cu1
Base: SUS304

2. Performance parameters:
Protection class: IP40

3. Remarks:
Default K110 key

1. 材质及表面处理:
锁体: 5#锌合金
底座: SUS304

2. 性能参数:
防护等级: IP40

3. 备注:
默认 K110 钥匙