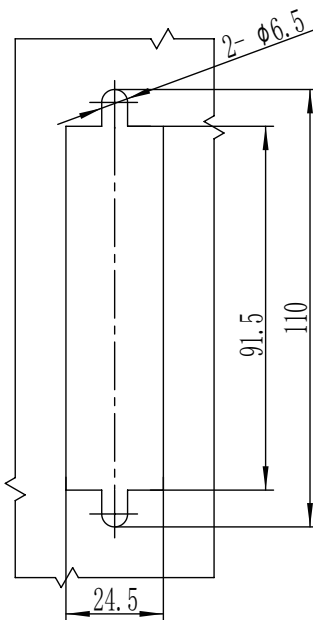
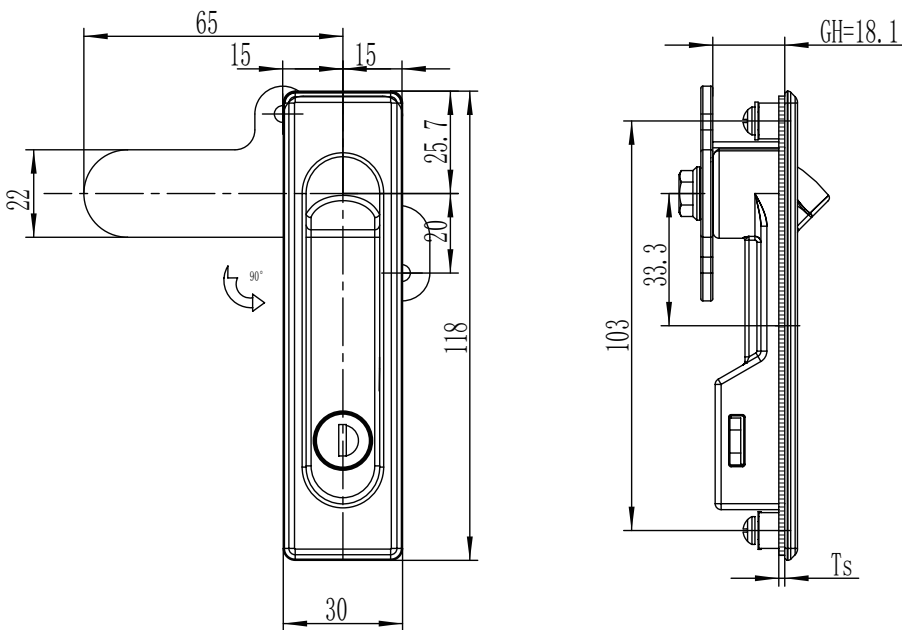


A-1106

Swing handle lock



开孔尺寸

Panel Cutout

RL

IP65

S
SERIES



1. Material and surface treatment:
Lock body, handle : Zamak DIN-EN 1774-ZnAl4Cu1 or SUS304
Steel bolt: iron galvanized or SUS304
Sealing ring: EPDM foam.

2. Performance parameters:
Protection class: IP65
Handle bearing tension value: $\leq 180\text{N}$
Handle bearing torque value: $\leq 14\text{N}\cdot\text{m}$
Maximum static load: 190N

3. Function Description:
Open the handle upwards and rotate it 90 degrees to achieve opening or closing.
Universal left and right locks.

4. Remarks:
Default key K200

1.材质及表面处理:
锁体, 手柄: 5#锌合金 或 SUS304
钢栓: 铁镀锌 或 SUS304
密封圈: EPDM发泡胶。

2.性能参数:
防护等级: IP65
手柄承载拉力值: $\leq 180\text{N}$
手柄承载扭矩值: $\leq 14\text{N}\cdot\text{m}$
最大静载荷: 190N

3.功能描述:
手柄向上打开, 旋转 90度, 实现打开或者关闭。左右锁通用。

4.备注:
默认钥匙 K200

锌合金 Zinc alloy	不锈钢 Stainless steel
电镀铬 Chromium plating	抛光 Polishing
A-1106-30	A-1106-A1