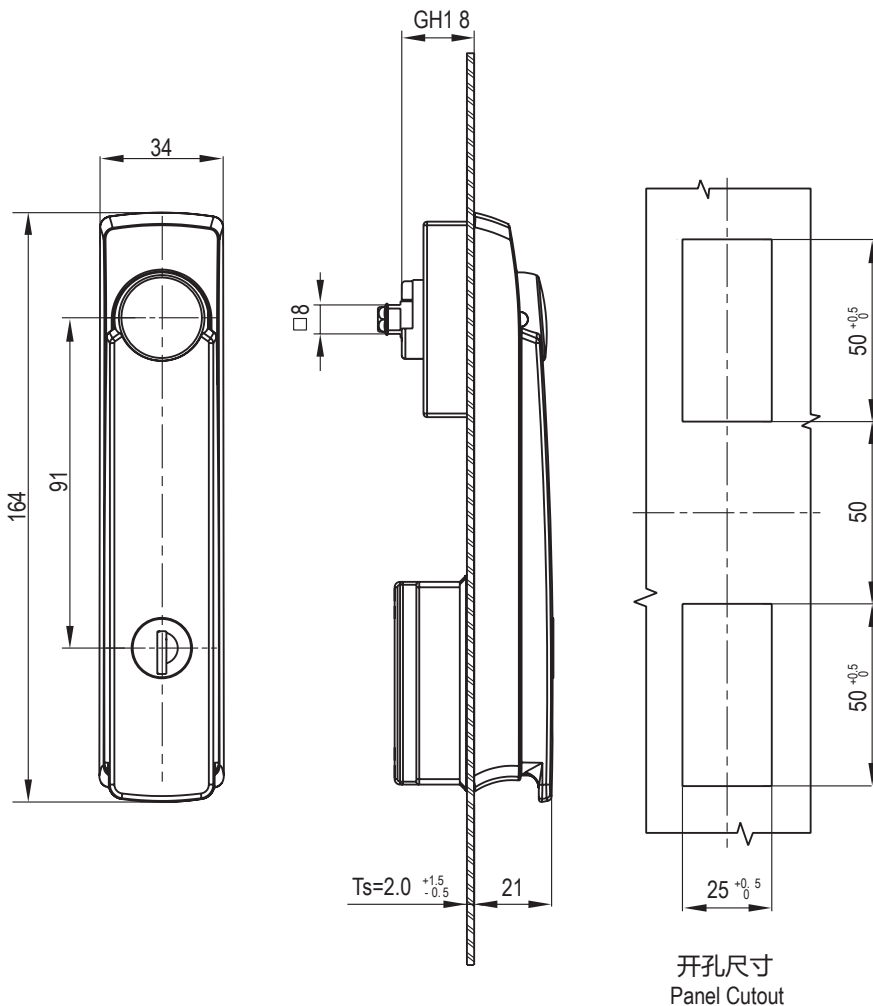


Swing handle lock

A-1205

RL

IP65



开孔尺寸
Panel Cutout

如需获得产品3D模型图，请联系 WWW.FORND.COM

1. Material and surface treatment:
Lock body: PA66+30%GF;
handle: Zamak DIN-EN 1774-ZnAl40Cu1
Steel bolt: iron galvanized
Sealing ring: EPDM foam.

2. Performance parameters:
Protection class: IP65
Handle bearing tension value: $\leq 235N$
Handle bearing torque value: $\leq 40N \cdot m$
Maximum static load: 270N

3. Remarks:
Optional dedicated key
CH751 key optional
Default K333 key

1. 材质及表面处理:
锁体: PA66+30%GF
手柄: 5#锌合金喷塑黑
钢栓: 铁镀锌
密封圈: EPDM发泡胶。

2. 性能参数:
防护等级: IP65
手柄承载拉力值: $\leq 235N$
手柄承载扭矩值: $\leq 40N \cdot m$
最大静载荷: 270N

3. 备注:
专用钥匙可选
CH751 钥匙可选,
默认K333钥匙

锁芯 Cylinder style	VersionA(锁舌型 Cam control)
半圆柱 333 相同钥匙 Alike K333 Profile Round Cylinder	A-1205-1001-64