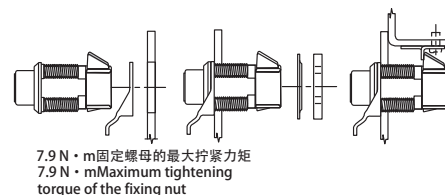
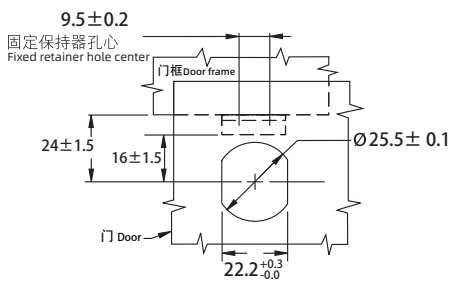
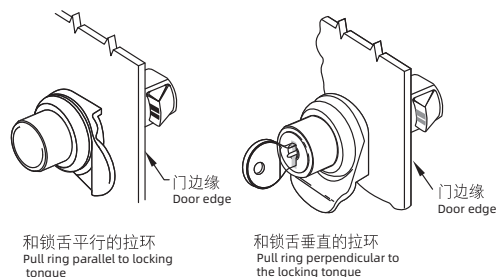
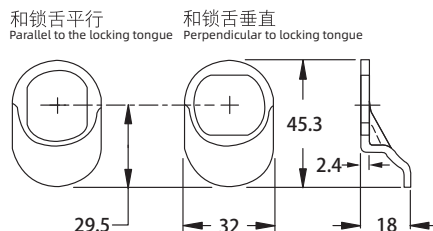
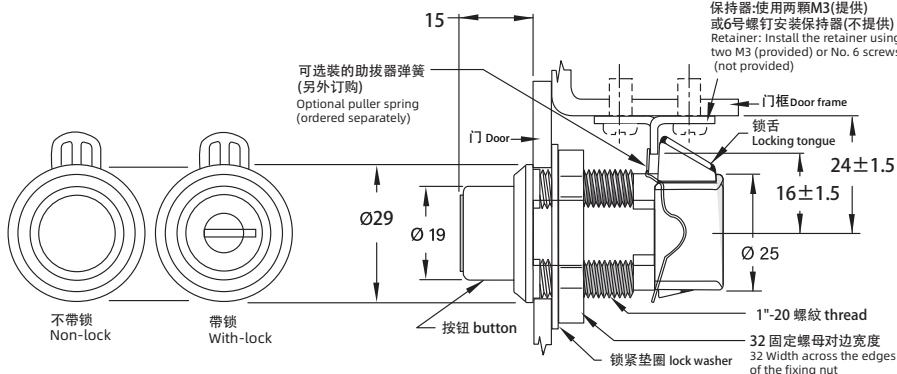


push to close latch knob latch **B-1701**

IP40



如需获得产品 3D 模型图，请联系 WWW.FORND.COM

1. Material and surface treatment:
Lock body, handle, dust cover :
PA66+30%GF
Steel bolt: PA66+30%GF
Sealing ring: EPDM foam.

2. Performance parameters:
Protection class: IP65
Maximum working load: 530N
Flame retardant grade: UL94-HB

3. Remark:
Default CH751 key code

1. 材质及表面处理:
锁体: PA66+30%GF

2. 性能参数:
防护等级: IP40
最大工作载荷: 530N
阻燃等级: UL94-HB

3. 备注:
默认 CH751 钥匙

	带锁芯 Key Locking	不带锁芯 Non-locking
不带取手 Latch only	B-1710-10-NP	B-1710-20-NP
拉手与锁舌平行 Pull tab in-line with latching Cam	B-1710-10-1P	B-1710-20-1P
拉手与锁舌垂直 Pull tab perpendicular to latching Cam	B-1710-10-2P	B-1710-20-2P