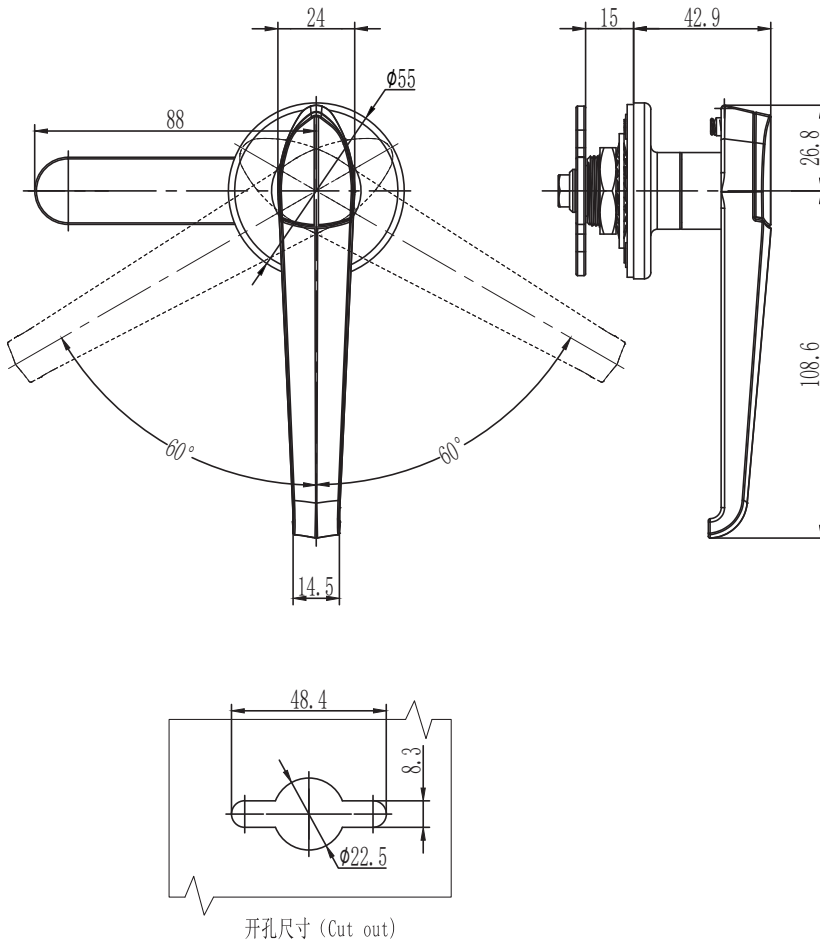


**B-1304**

L handle lock



RL

SUS304 SERIES

IP65



1. Material and surface treatment:  
Lock body, handler, dust cover: Zamak  
DIN-EN 1774-ZnAl4Cu1 or SUS304  
Steel bolt: iron galvanized or SUS304  
Sealing ring: EPDM foam.

2. Performance parameters:  
Protection class: IP65

3. Remarks:  
Optional dedicated key  
Default K200 key

1. 材质及表面处理:  
锁体, 手柄, 防尘盖: 5# 锌合金或 SUS304  
钢栓: 铁镀锌或 SUS304  
密封圈: EPDM 发泡胶。

2. 性能参数: 防护等级: IP65

3. 备注:  
专用钥匙可选  
默认 K200 钥匙

	锌合金, 亮铬 Zinc Bright Chrom	SUS304
K200 钥匙锁定 K200 keylocking	B-1304-30	B-1304-A1